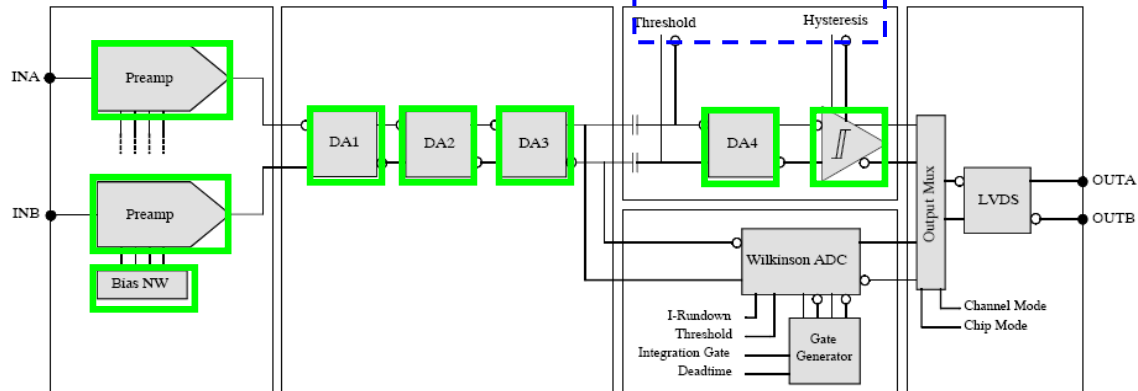


Threshold and hysteresis supplied externally



Timing Discriminator



Preamp

Shaper

Charge ADC

Output

analog functional blocks