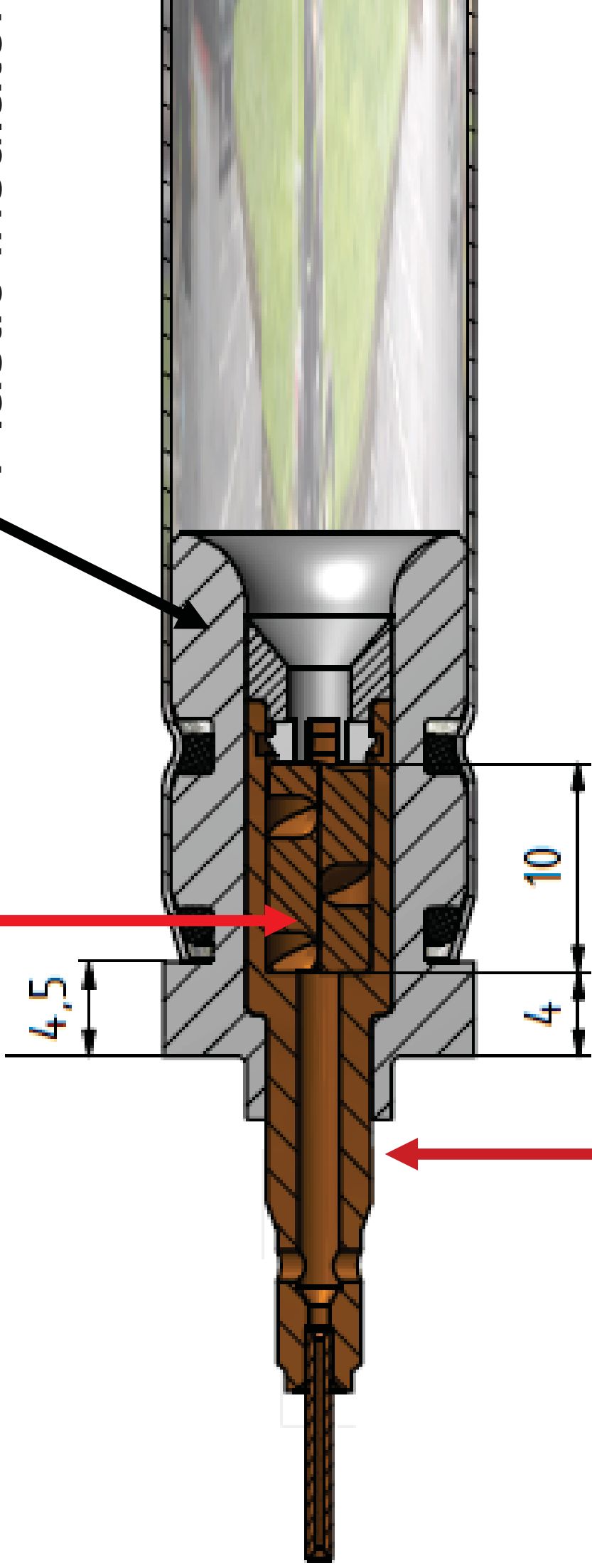


Wire locator (brass spiral)

Plastic insulator



External reference surface