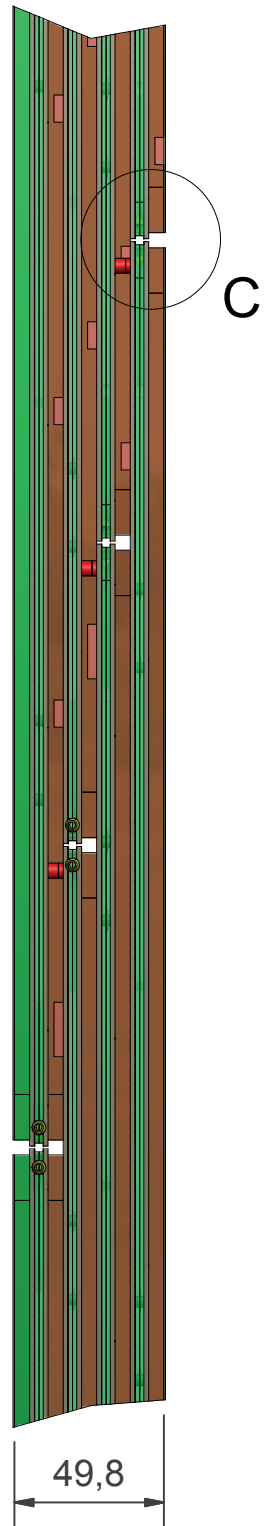
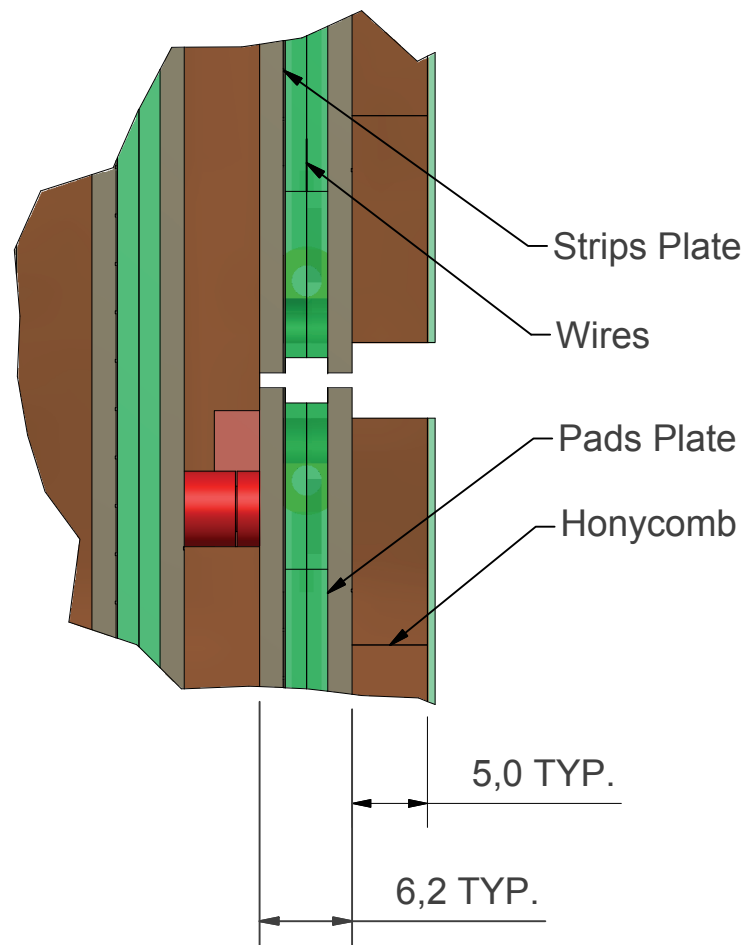


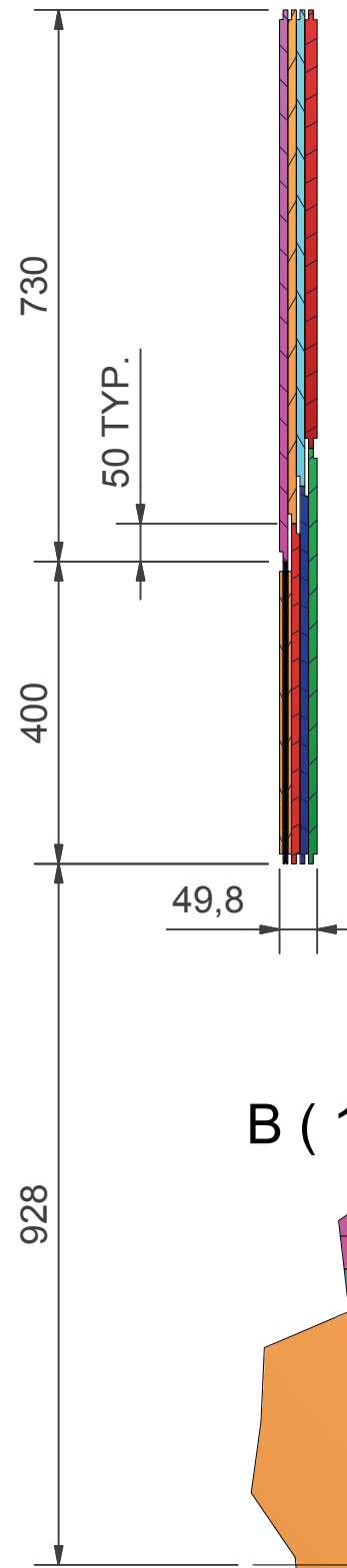
(1 : 2.5)



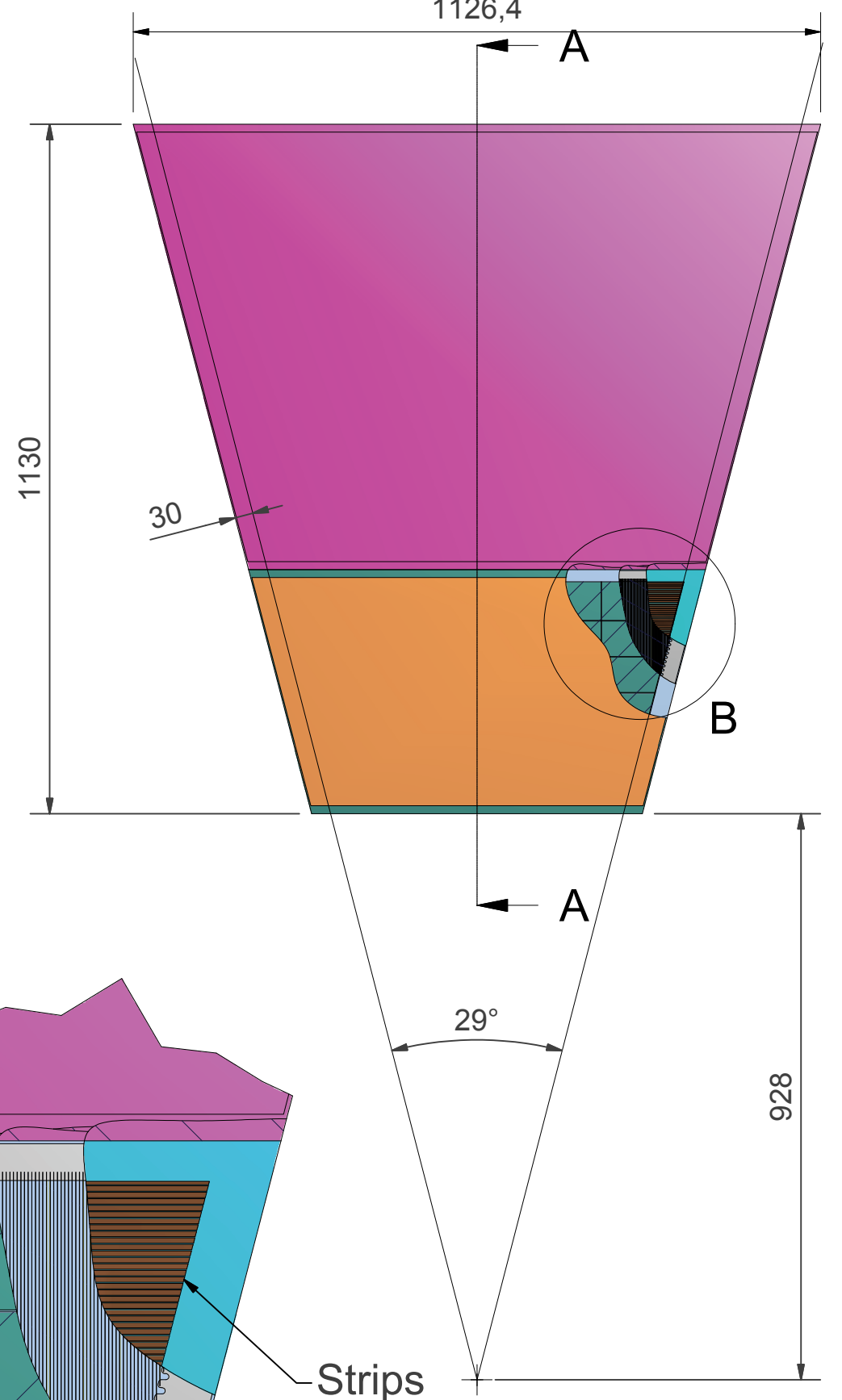
C (2 : 1)



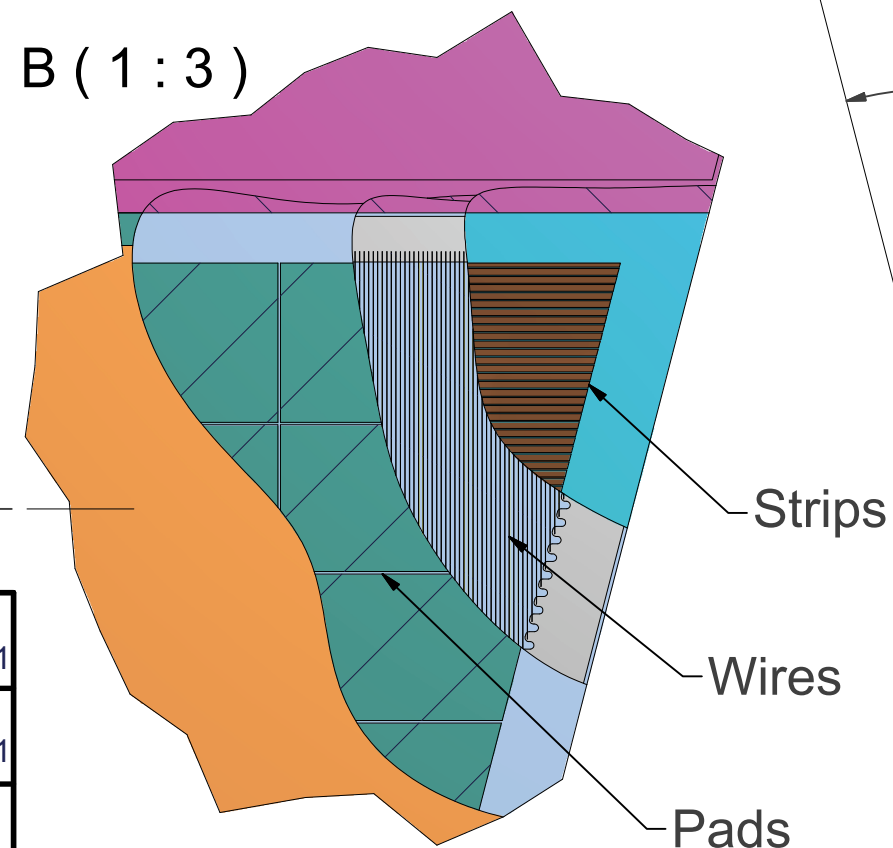
A-A (1 : 10)



1126,4



B (1 : 3)



Small Wheel Trapeze Chambers		 תכנון מכשירים Instrument Design Weizmann Institute of Science www.weizmann.ac.il/RSD/design	Updated by Benny	Date 11/09/2011
Ordered By Particle Physics			Designed by Benny	Date 11/09/2011
Project 4667.00- Chambers 29	Part Part Name	Material	Quantity	